

**SONY**

Car Stereo  
Service Bulletin

Sony Service Company - Technical Services  
A Division of Sony Corporation of America  
Sony Drive, Park Ridge, New Jersey 07656

**Model:** CDX-A2001

**No. 208**

**Subject:** Part Number Addition, Reference Number 134;  
Cover (Chuck)

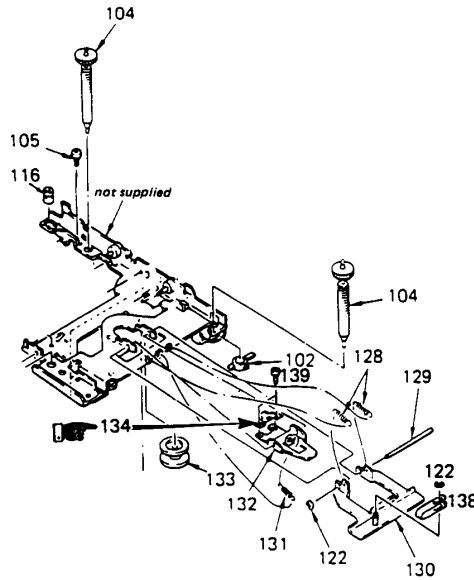
**Date:** July 29, 1991

**Symptom:**  
(\*\*)

Please add the following part number on page 34 of you Service Manual.

**Solution:**

REFERENCE NUMBER	DESCRIPTION	PART NUMBER
134	COVER (CHUCK)	3-354-626-01



Reference: FPR-M1766

PRINTED IN U.S.A.  
CSA-14791-3

CSA-14 Compact Disc